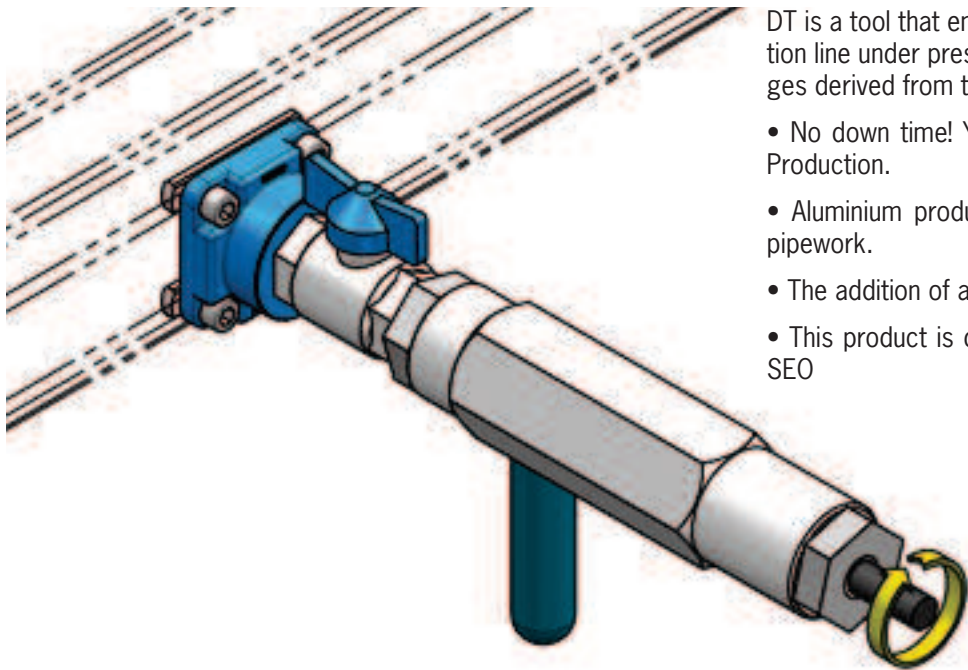


# DT DRILLING TOOL

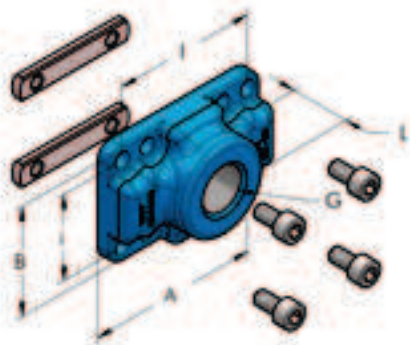


DT is a tool that enables you to drill the compressed air distribution line under pressure with ease and safety. The main advantages derived from the use of DT:

- No down time! You don't have to empty the system or stop Production.
- Aluminium produced by drilling does not penetrate into the pipework.
- The addition of an outlet plate is easy and safe
- This product is designed for the HBS and AP systems of TE-SEO

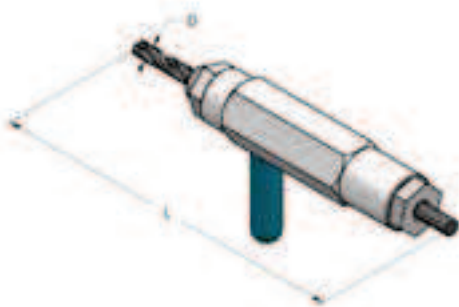
## OUTLET PLATE

HBS



I mm	i mm	G	A mm	B mm	L mm	Part. no.	P g	n°
36	36	1/2" - BSP	48	48	25	003 002 033	110	20
36	36	3/4" - BSP	48	48	25	003 002 034	105	20
60	60	1/2" - BSP	72	72	30	003 003 033	250	20
60	60	3/4" - BSP	72	72	30	003 003 034	220	20
60	36	1/2" - BSP	72	48	25	003 360 033	129	10
60	36	3/4" - BSP	72	48	25	003 360 034	125	10

## DRILLING TOOL



D mm	G	L mm	Part. no.	P g	n°
13	1/2" - BSP	320	005 004 021	750	1
19	3/4" - BSP	335	005 004 026	840	1